



PLASTIC FLAT WASHERS ITEM: ROS 46 PA66 NERO

Codice EZ: request the code from our sales office

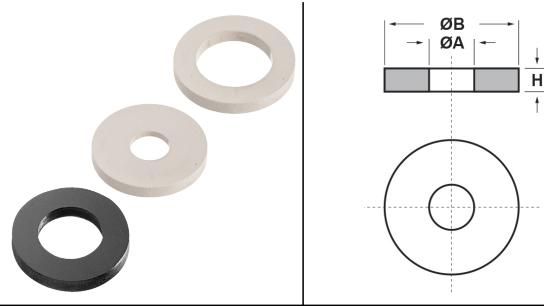
Material: polyethylene (PE-LD), polyamide 66 (PA66) and polyamide 66 reinforced with glass fiber (PA66-RV).

Color: natural, white, black.

Use temperature: +50°C / max +60°C (for PE-LD), +90°C / max +105°C (for PA66), max +120°C (for PA66-RV)

Flammability: antifiamma UL94-HB (PA 66-RV e PA 66).

Features: these washers are suitable for any type of application.



The drawing is indicative and the proportions may not correspond to the table or real dimensions.

ITEM	Color	Material	ØA mm	ØB mm	H mm	pack pcs.
ROS 46 PA66 NERO	black	PA66	6,4	12	2	1000

THE ITEMS FOR WHICH THE QUANTITY PER PACKAGE IS NOT SPECIFIED ARE ON REQUEST AND SUBJECT TO A MINIMUM QUANTITY AVAILABLE TO BE REQUESTED AT OUR SALES OFFICE.

Tutte le informazioni e i dati sono indicativi e possono essere soggetti a variazioni senza preavviso

ELEKTROZUBEHÖR SPA

Sede:
Via F.lli Bronzetti, 24
20129 Milano (Italy)
Tel.: +39 02 701471
C.F. e P. IVA: 00729140152
Capitale Sociale: € 260.000

Centro logistico:
Via Cadorna, 66/A
20055 Vimodrone MI

Registro imprese: n° 92394 Tribunale di Milano
R.E.A.: 460657 - INTRASTAT: IT 00729140152
Posizione Import: MI 007993

